

9/29/2023 2:30 PM  
s:\projects\eurowall-systems\fb-23-0818 - fbc submittal - fbc submittal - ew submittal - ew holdings of florida llc name change.dwg\1311951ew013.dwg

# EURO-WALL, LLC

## FIXED WINDOW (WZ3) (IMPACT)

### INSTALLATION NOTES:

- ONE (1) INSTALLATION ANCHOR IS REQUIRED AT EACH ANCHOR LOCATION SHOWN, UNLESS OTHERWISE STATED.
- THE NUMBER OF INSTALLATION ANCHORS DEPICTED IS THE MINIMUM NUMBER OF ANCHORS TO BE USED FOR PRODUCT INSTALLATION.
- INSTALL INDIVIDUAL INSTALLATION ANCHORS WITHIN A TOLERANCE OF ±1/16 INCH OF THE DEPICTED LOCATION IN THE ANCHOR LAYOUT DETAIL (I.E., WITHOUT CONSIDERATION OF TOLERANCES). TOLERANCES ARE NOT CUMULATIVE FROM ONE INSTALLATION ANCHOR TO THE NEXT.
- THROUGH FRAME** : FOR INSTALLATION INTO 2X WOOD BUCK OR FRAMING, USE ONE #10 WOOD SCREW, TYPE INSTALLATION ANCHOR PER LOCATION OF SUFFICIENT LENGTH TO ACHIEVE A MINIMUM 1 1/2" EMBEDMENT.
- THROUGH FRAME** : FOR INSTALLATION INTO METAL STUD, USE ONE #10 SELF-DRILLING SCREW, TYPE INSTALLATION ANCHOR PER LOCATION OF SUFFICIENT LENGTH TO ACHIEVE MINIMUM PENETRATION OF 3 THREADS BEYOND METAL STRUCTURE.
- THROUGH FRAME** : FOR INSTALLATION THROUGH 1X BUCK TO CONCRETE/MASONRY OR DIRECTLY INTO CONCRETE/MASONRY, USE 3/16" ITW TAPCONS OR 3/16" ELCO ULTRACONS OF SUFFICIENT LENGTH TO ACHIEVE 1 1/2" MINIMUM EMBEDMENT.
- MINIMUM EMBEDMENT AND EDGE DISTANCE EXCLUDE WALL FINISHES, INCLUDING BUT NOT LIMITED TO STUCCO, FOAM, BRICK VENEER, AND SIDING.
- INSTALLATION ANCHORS AND ASSOCIATED HARDWARE MUST BE MADE OF CORROSION RESISTANT MATERIAL OR HAVE A CORROSION RESISTANT COATING.
- INSTALLATION ANCHORS SHALL BE INSTALLED IN ACCORDANCE WITH ANCHOR MANUFACTURER'S INSTALLATION INSTRUCTIONS, AND ANCHORS SHALL NOT BE USED IN SUBSTRATES WITH STRENGTHS LESS THAN THE MINIMUM STRENGTH SPECIFIED BY THE ANCHOR MANUFACTURER.
- INSTALLATION ANCHOR CAPACITIES FOR PRODUCTS HEREIN ARE BASED ON SUBSTRATE MATERIALS WITH THE FOLLOWING PROPERTIES:
  - STEEL - MIN. TENSILE YIELD STRENGTH OF 33 KSI. MIN. 18 GAUGE THICKNESS (0.0478").
  - WOOD - MINIMUM SPECIFIC GRAVITY = 0.42.
  - ALUMINUM - MIN. 6063-T5, MIN 1/8" WALL THICKNESS.
  - CONCRETE - MINIMUM COMPRESSIVE STRENGTH OF 3000 PSI.
  - GROUT-FILLED CUM- UNIT STRENGTH CONFORMS TO ASTM C-90 WITH MINIMUM COMPRESSIVE STRENGTH OF 2000 PSI AN GROUT CONFORMS TO ASTM C-476 MINIMUM GROUT COMPRESSIVE STRENGTH OF 2000 PSI.

### GENERAL NOTES:

- THE PRODUCT SHOWN HEREIN IS DESIGNED AND MANUFACTURED TO COMPLY WITH THE CURRENT EDITION OF THE FLORIDA BUILDING CODE, EXCLUDING HVHZ, AND HAS BEEN EVALUATED TO THE FOLLOWING:
  - TAS 201-94
  - TAS 202-94
  - TAS 203-94
- ADEQUACY OF THE EXISTING STRUCTURAL 2X WOOD FRAMING OR METAL STUD FRAMING AS A MAIN WIND FORCE RESISTING SYSTEM CAPABLE OF WITHSTANDING AND TRANSFERRING APPLIED PRODUCT LOADS TO THE FOUNDATION IS THE RESPONSIBILITY OF THE ENGINEER OR ARCHITECT OF RECORD FOR THE PROJECT OF INSTALLATION.
- THE INSTALLATION DETAILS DESCRIBED HEREIN ARE GENERIC AND MAY NOT REFLECT ACTUAL CONDITIONS FOR A SPECIFIC SITE. IF SITE CONDITIONS CAUSE INSTALLATION TO DEVIATE FROM THE REQUIREMENTS DETAILED HEREIN, A LICENSED ENGINEER OR ARCHITECT SHALL PREPARE SITE SPECIFIC DOCUMENTS FOR USE WITH THIS DOCUMENT IN NON-HVHZ AREA.
- THE INSTALLATION DETAILS DESCRIBED HEREIN ARE GENERIC AND MAY NOT REFLECT ACTUAL CONDITIONS FOR A SPECIFIC SITE. IF SITE CONDITIONS CAUSE INSTALLATION TO DEVIATE FROM THE REQUIREMENTS DETAILED HEREIN, A LICENSED ENGINEER OR ARCHITECT SHALL PREPARE SITE SPECIFIC DOCUMENTS FOR THE USE WITH THIS DOCUMENT.
- APPROVED IMPACT PROTECTIVE SYSTEM **IS NOT REQUIRED** TO PROTECT THIS PRODUCT IN AREAS REQUIRING IMPACT RESISTANCE IN WIND ZONE 3 OR LESS.
- APPROVED IMPACT PROTECTIVE SYSTEM **IS REQUIRED** TO PROTECT THIS PRODUCT IN AREAS REQUIRING IMPACT RESISTANCE IN WIND ZONE 4.
- GLASS MEETS THE REQUIREMENTS OF ASTM E1300. SEE GLAZING DETAILS ON SHEETS 8 & 9.
- WINDOW FRAME MATERIAL: 6063-T6 ALUMINUM
- DESIGNATION "X" AND "O" STAND FOR THE FOLLOWING:
  - X: OPERABLE PANEL
  - O: FIXED PANEL

TABLE OF CONTENTS	
SHEET	SHEET DESCRIPTION
1	INSTALLATION & GENERAL NOTES
2	ELEVATIONS & ANCHOR LAYOUT SINGLE UNIT
3	ELEVATIONS MULLED UNIT
4	ANCHOR LAYOUT MULLED UNIT
5	VERTICAL SECTIONS
6	HORIZONTAL SECTIONS
7	MULLION DESIGN PRESSURE TABLE BRACKET
8	GLAZING DETAILS
9	GLAZING DETAILS

DESIGN PRESSURE TABLE		WATER TEST PRESSURE	IMPACT RATED
SINGLE UNIT	SEE SHEET 2	12 PSF	LMI & SMI RATED
MULLED UNIT	SEE SHEET 7	9 PSF	



EURO-WALL, LLC  
P.O. BOX 8007  
NORTH PORT, FL 34290  
PH: 888-989-3876

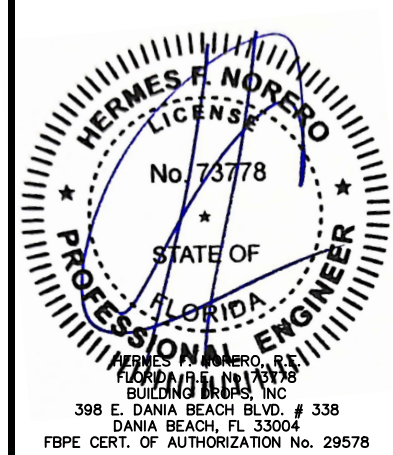
TITLE: **FIXED WINDOW  
(WZ3) (IMPACT)**  
INSTALLATION & GENERAL NOTES

PREPARED BY: **BUILDING DROPS, INC.**  
398 E. DANIA BEACH BLVD., STE. 338  
DANIA BEACH, FL 33004  
PH: (954) 399-8478  
FAX: (954) 744-4738  
WEB: www.buildingdrops.com



REMARKS	BY	DATE
MISC. UPDATE	OL	6/23
COMPANY NAME UPD.	SH	9/23

THE INSTALLATION DETAILS DESCRIBED HEREIN ARE GENERIC AND MAY NOT REFLECT ACTUAL CONDITIONS FOR A SPECIFIC SITE. IF SITE CONDITIONS CAUSE INSTALLATION TO DEVIATE FROM THE REQUIREMENTS DETAILED HEREIN, A LICENSED ENGINEER OR ARCHITECT SHALL PREPARE SITE SPECIFIC DOCUMENTS FOR USE WITH THIS DOCUMENT.



FL #: **FL31965**

DATE: **03.30.2020**

DWG. BY: <b>YC</b>	CHK. BY: <b>HFN</b>
--------------------	---------------------

SCALE: **NTS**

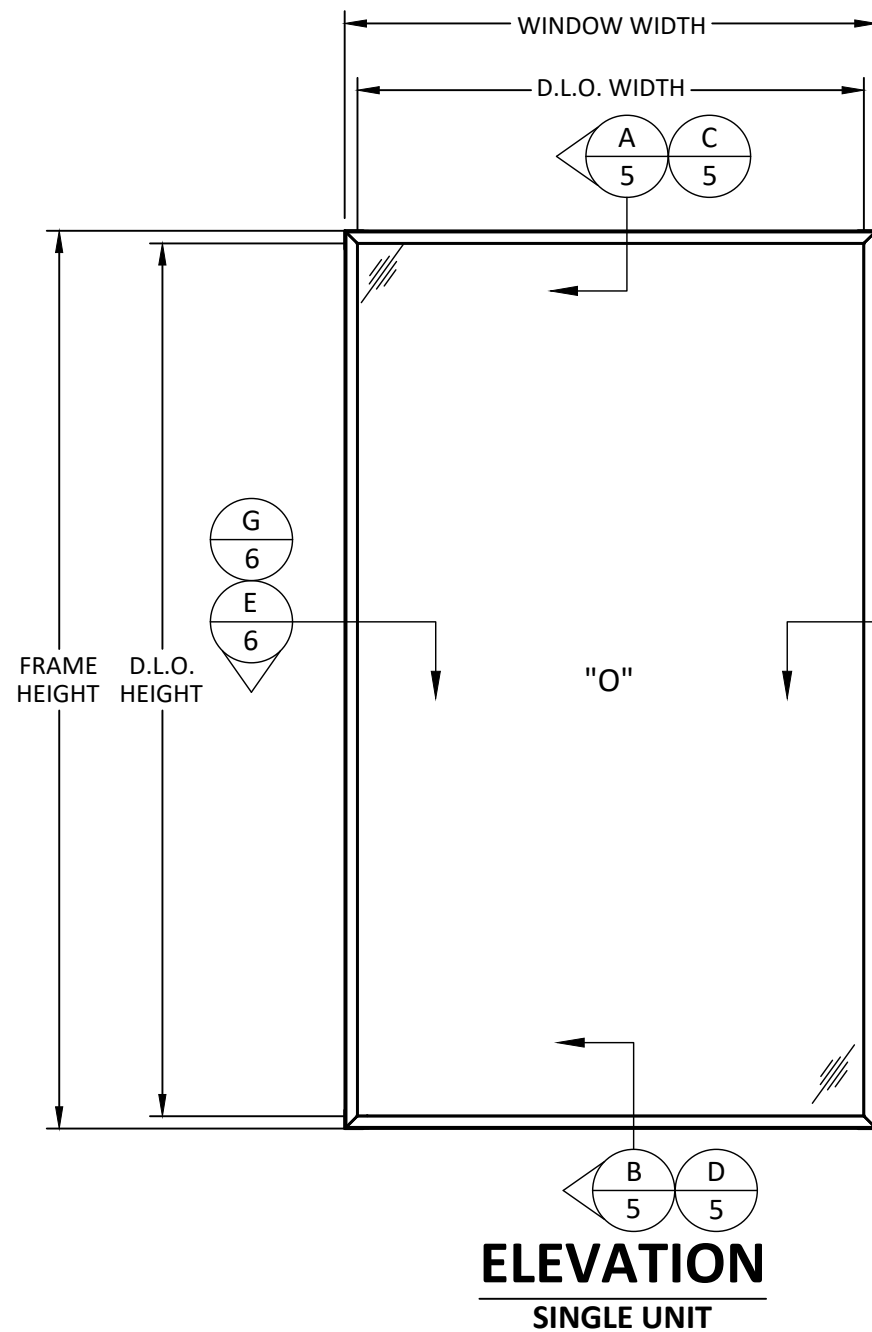
DWG. #: **EWS013**

SHEET:

**1**

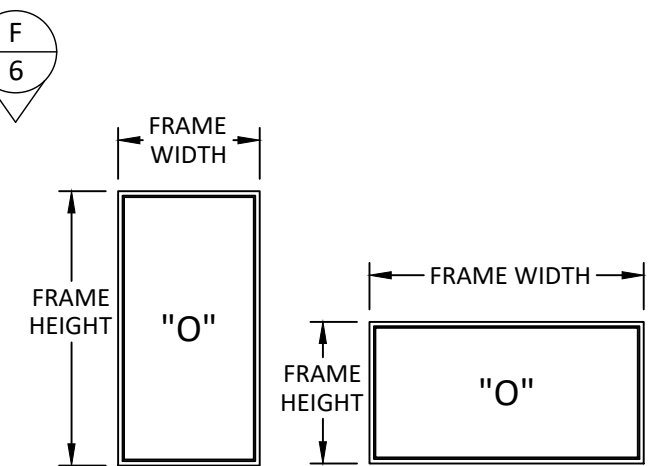
OF 9

9/29/2023 2:30 PM  
s:\projects\euro-wall systems\fb-23-0818 - fbc submittal - fbc submittal - ew holdings of florida llc name change.dwg\131965\ew013.dwg

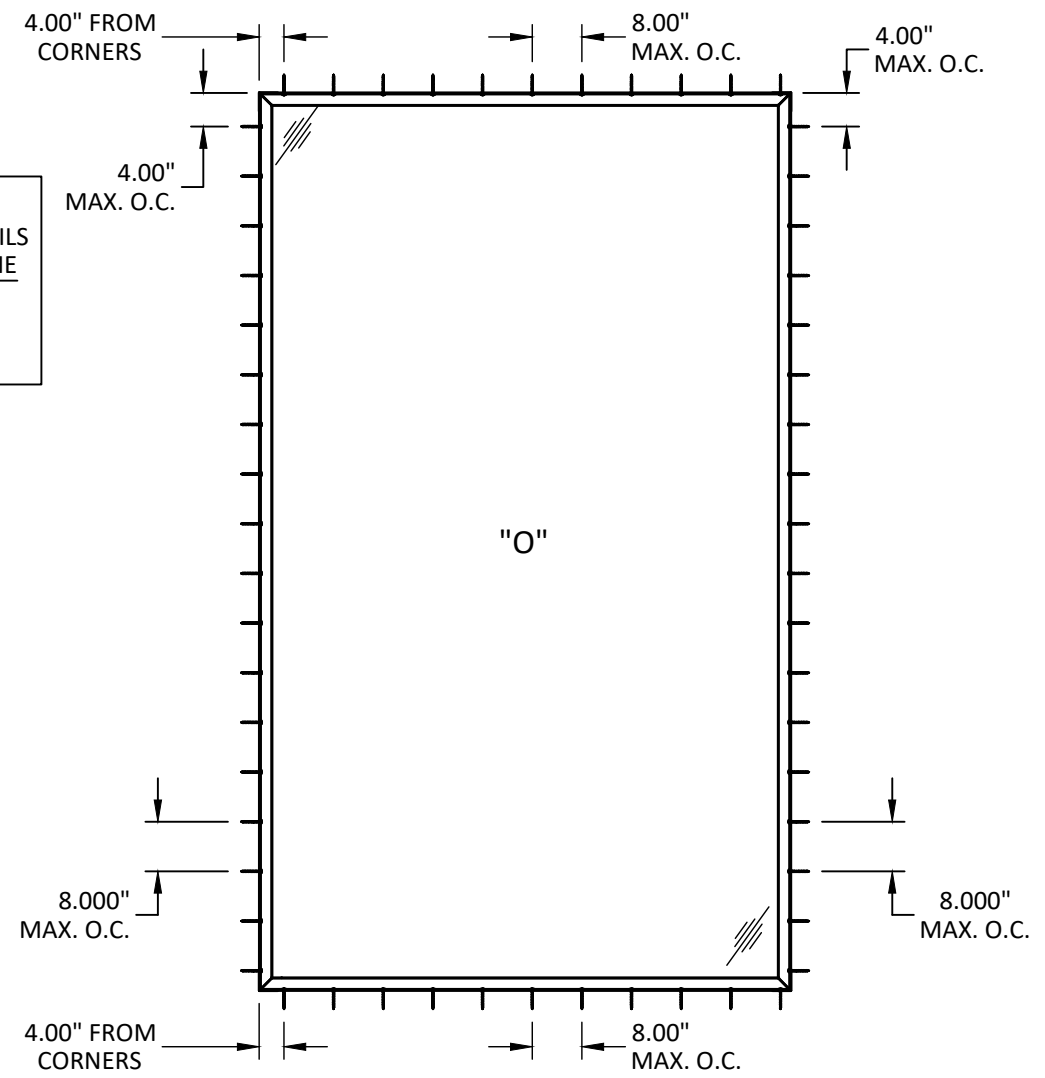
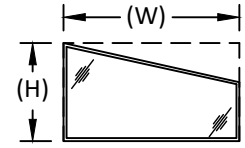


UNITS OF THE SHOWN SHAPES ARE ALLOWED PROVIDED CONSTRUCTION, GLAZING, & ANCHORAGE ARE PER DETAILS SHOWN HEREIN. ALL SHAPED UNITS SHALL FIT WITHIN THE RECTANGULAR AREAS AS SHOWN.

- MAXIMUM AREA (RECTANGLE UNITS)= 85" X 144"
- MAXIMUM DP = +/- 80 PSF



NOTE:  
WINDOW WIDTH AND HEIGHT ARE INTERCHANGEABLE FOR ALL SIZES SHOWN HEREIN NOT TO EXCEED MAXIMUM QUALIFIED SQUARE FOOT AREA.



**ANCHOR LAYOUT**  
THROUGH FRAME INSTALLATION

DAYLIGHT OPENING CALCULATIONS:  
 • D.L.O HEIGHT=FRAME HEIGHT-4.000"  
 • D.L.O WIDTH=FRAME WIDTH-4.000"

**DESIGN PRESSURE TABLE (PSF) FIXED WINDOW**

FIXED WINDOW HEIGHT (INCHES)	FIXED WINDOW WIDTH (INCHES)															
	72	80	88	96	104	112	120	128	136	144	152	160	168	176	80	85
72	80.0	80.0	80.0	80.0	80.0	80.0	80.0	80.0	80.0	80.0	80.0	80.0	80.0	80.0	80.0	80.0
80	80.0	80.0	80.0	80.0	80.0	80.0	80.0	80.0	80.0	80.0	80.0	80.0	80.0	80.0	80.0	80.0
88	80.0	80.0	80.0	80.0	80.0	80.0	80.0	80.0	80.0	80.0	80.0	80.0	80.0	80.0	80.0	80.0
96	80.0	80.0	80.0	80.0	80.0	80.0	80.0	80.0	80.0	80.0	80.0	80.0	80.0	80.0	80.0	80.0
104	80.0	80.0	80.0	80.0	80.0	80.0	80.0	80.0	80.0	80.0	80.0	80.0	80.0	80.0	80.0	80.0
112	80.0	80.0	80.0	80.0	80.0	80.0	80.0	80.0	80.0	80.0	80.0	80.0	80.0	80.0	80.0	80.0
120	80.0	80.0	80.0	80.0	80.0	80.0	80.0	80.0	80.0	80.0	80.0	80.0	80.0	80.0	80.0	-
128	80.0	80.0	80.0	80.0	80.0	80.0	80.0	80.0	80.0	80.0	80.0	80.0	80.0	80.0	-	-
136	80.0	80.0	80.0	80.0	80.0	80.0	80.0	80.0	80.0	80.0	80.0	80.0	80.0	-	-	-
144	80.0	80.0	80.0	80.0	80.0	80.0	80.0	80.0	80.0	80.0	80.0	80.0	80.0	-	-	-
152	80.0	80.0	80.0	80.0	80.0	80.0	80.0	80.0	80.0	80.0	80.0	80.0	80.0	-	-	-
160	80.0	80.0	80.0	80.0	80.0	80.0	80.0	80.0	80.0	80.0	80.0	80.0	80.0	-	-	-
168	80.0	80.0	80.0	80.0	80.0	80.0	80.0	80.0	80.0	80.0	80.0	80.0	80.0	-	-	-
176	80.0	80.0	80.0	80.0	80.0	80.0	80.0	80.0	80.0	80.0	80.0	80.0	80.0	-	-	-

EURO-WALL, LLC  
P.O. BOX 8007  
NORTH PORT, FL 34290  
PH: 888-989-3876

TITLE: **FIXED WINDOW (WZ3) (IMPACT)**  
ELEVATIONS & ANCHOR LAYOUT (SINGLE UNIT)

PREPARED BY: **BUILDING DROPS, INC.**  
398 E. DANIA BEACH BLVD., STE. 338  
DANIA BEACH, FL 33004  
PH: (954)399-8478  
FAX: (954)744-4738  
WEB: www.buildingdrops.com

REMARKS	BY	DATE
MISC. UPDATE	OL	6/23
COMPANY NAME UPD.	SH	9/23

THE INSTALLATION DETAILS DESCRIBED HEREIN ARE GENERIC AND MAY NOT REFLECT ACTUAL CONDITIONS FOR A SPECIFIC SITE. IF SITE CONDITIONS CAUSE INSTALLATION TO DEVIATE FROM THE REQUIREMENTS DETAILED HEREIN, A LICENSED ENGINEER OR ARCHITECT SHALL PREPARE SITE SPECIFIC DOCUMENTS FOR USE WITH THIS DOCUMENT.

HERMES F. NORERO  
LICENSE  
No. 73778  
STATE OF  
FLORIDA  
PROFESSIONAL ENGINEER

HERMES F. NORERO, P.E.  
FLORIDA LICENSE NO. 73778  
BUILDING DROPS, INC.  
398 E. DANIA BEACH BLVD., # 338  
DANIA BEACH, FL 33004  
FBPE CERT. OF AUTHORIZATION No. 29578

FL #: **FL31965**

DATE: **03.30.2020**

DWG. BY: **YC** | CHK. BY: **HFN**

SCALE: **NTS**

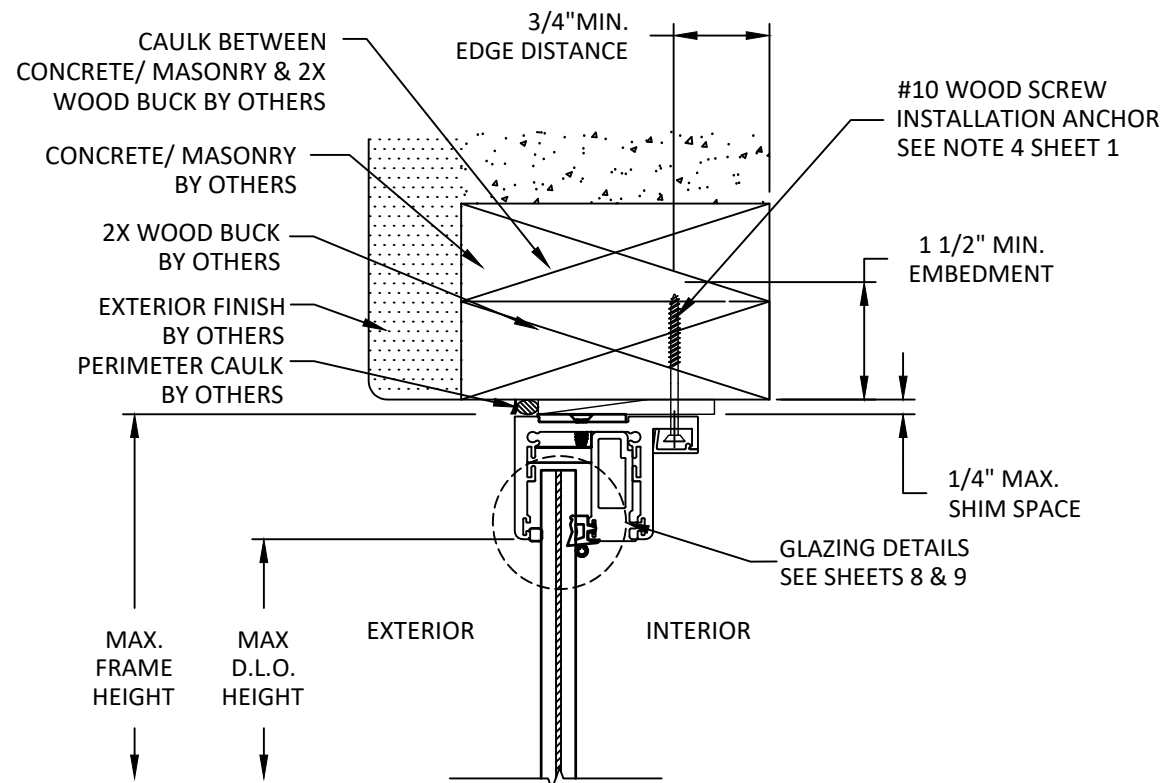
DWG. #: **EWS013**

SHEET: **2** OF 9

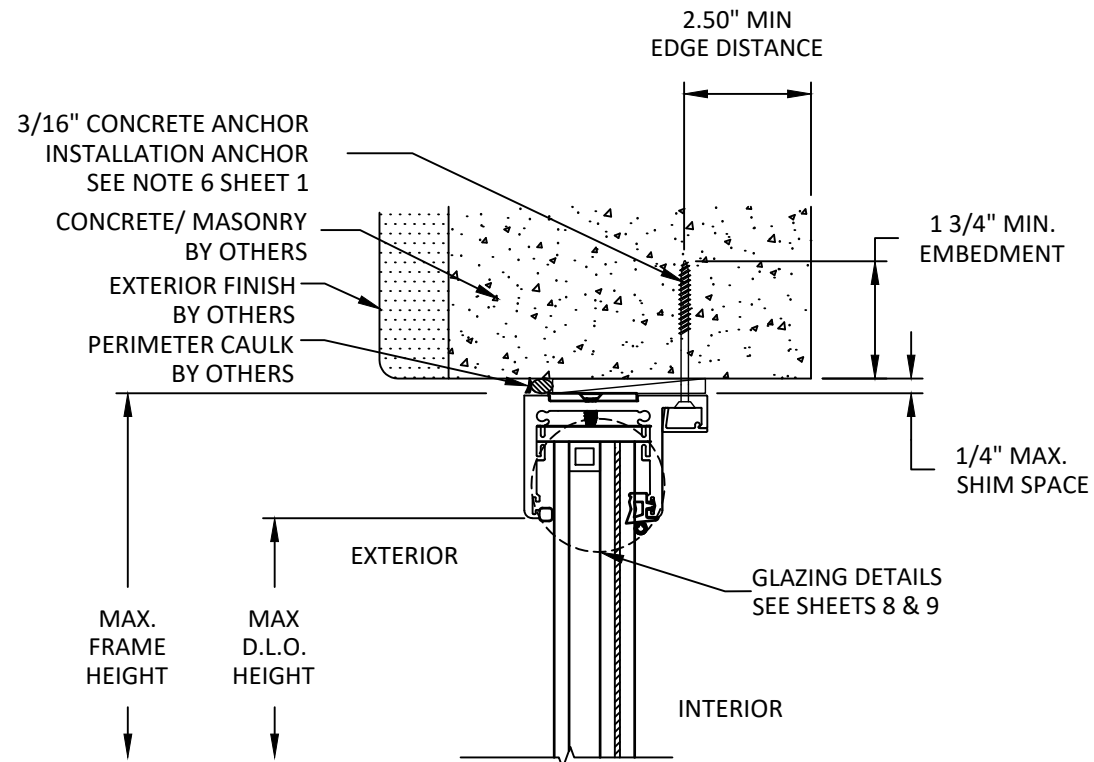




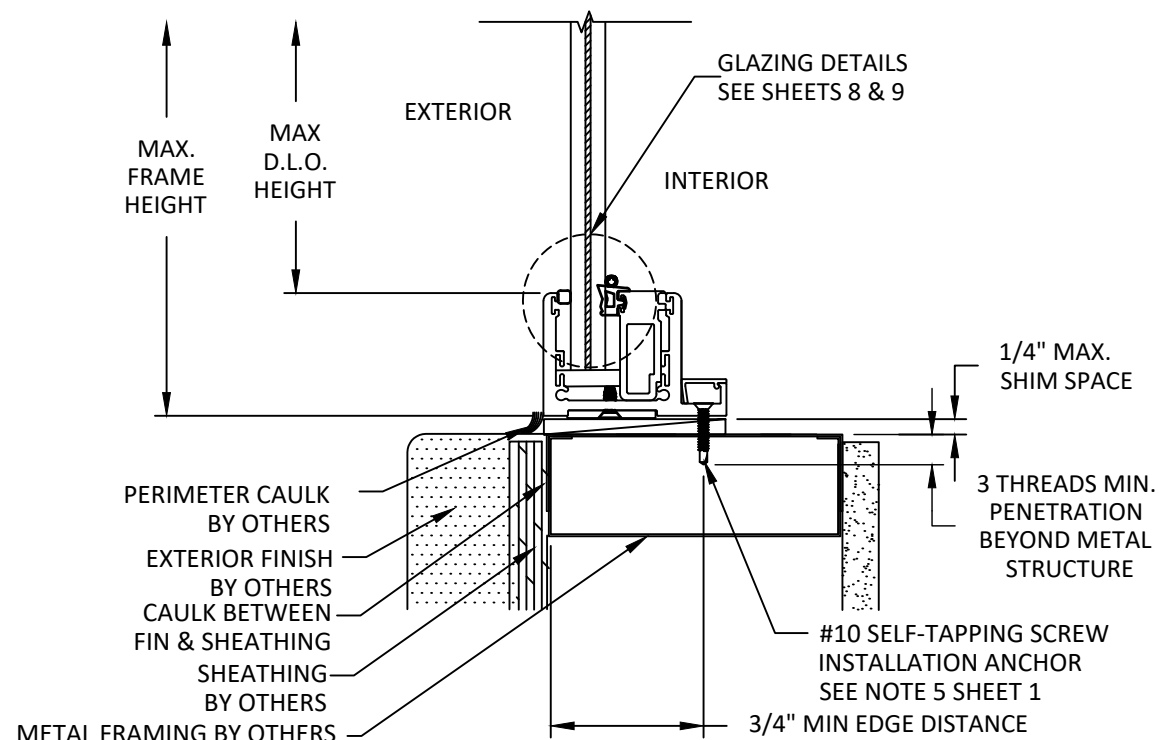
9/29/2023 2:30 PM  
 s:\projects\euro-wall systems\fbc-23-0818 - fbc submittal - fbc submittal - ew change\dwgs\131965\ews013.dwg



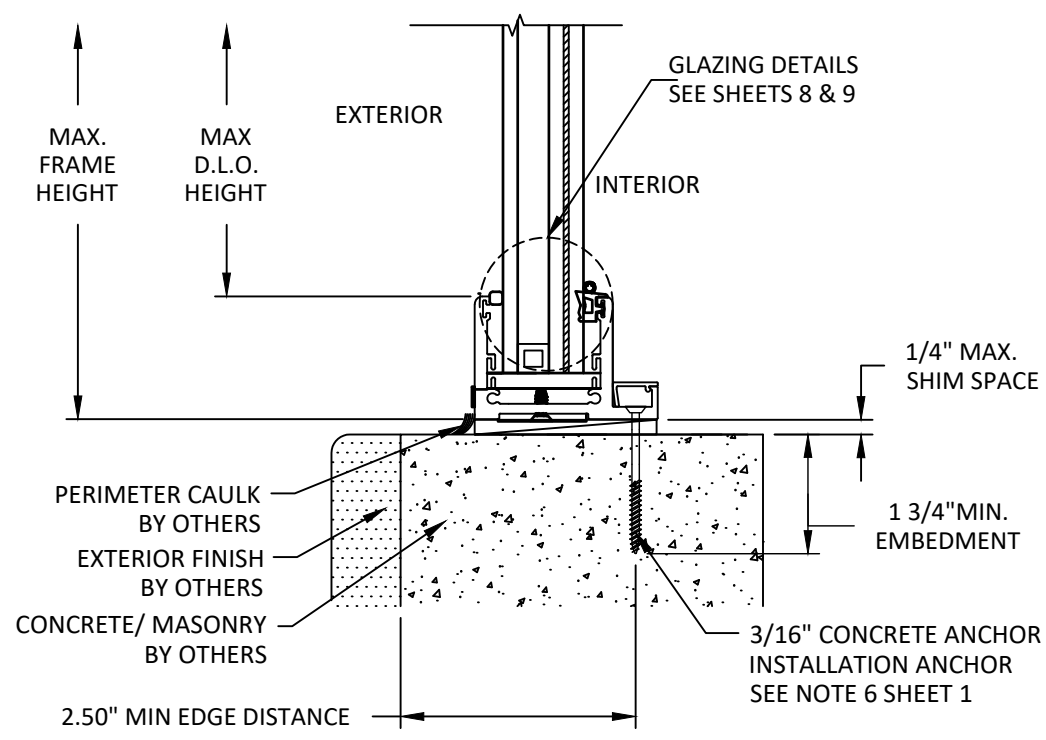
**A**  
**5**  
**VERTICAL SECTION**  
HEAD - 2X WOOD BUCK  
THROUGH FRAME INSTALLATION



**C**  
**5**  
**VERTICAL SECTION**  
HEAD - CONCRETE OR CMU  
THROUGH FRAME INSTALLATION



**B**  
**5**  
**VERTICAL SECTION**  
SILL - METAL STUD  
THROUGH FRAME INSTALLATION



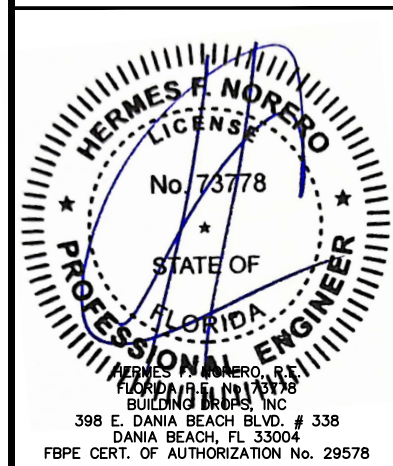
**D**  
**5**  
**VERTICAL SECTION**  
SILL - CONCRETE OR CMU  
THROUGH FRAME INSTALLATION

TITLE: **FIXED WINDOW (WZ3) (IMPACT) VERTICAL SECTIONS**

PREPARED BY: **BUILDING DROPS, INC.**  
398 E. DANIA BEACH BLVD., STE. 338  
DANIA BEACH, FL 33004  
PH: (954) 399-8478  
FAX: (954) 744-4738  
WEB: www.buildingdrops.com

REMARKS	BY	DATE
MISC. UPDATE	OL	6/23
COMPANY NAME UPD.	SH	9/23

THE INSTALLATION DETAILS DESCRIBED HEREIN ARE GENERIC AND MAY NOT REFLECT ACTUAL CONDITIONS FOR A SPECIFIC SITE. IF SITE CONDITIONS CAUSE INSTALLATION TO DEVIATE FROM THE REQUIREMENTS DETAILED HEREIN, A LICENSED ENGINEER OR ARCHITECT SHALL PREPARE SITE SPECIFIC DOCUMENTS FOR USE WITH THIS DOCUMENT.



FL #: **FL31965**

DATE: **03.30.2020**

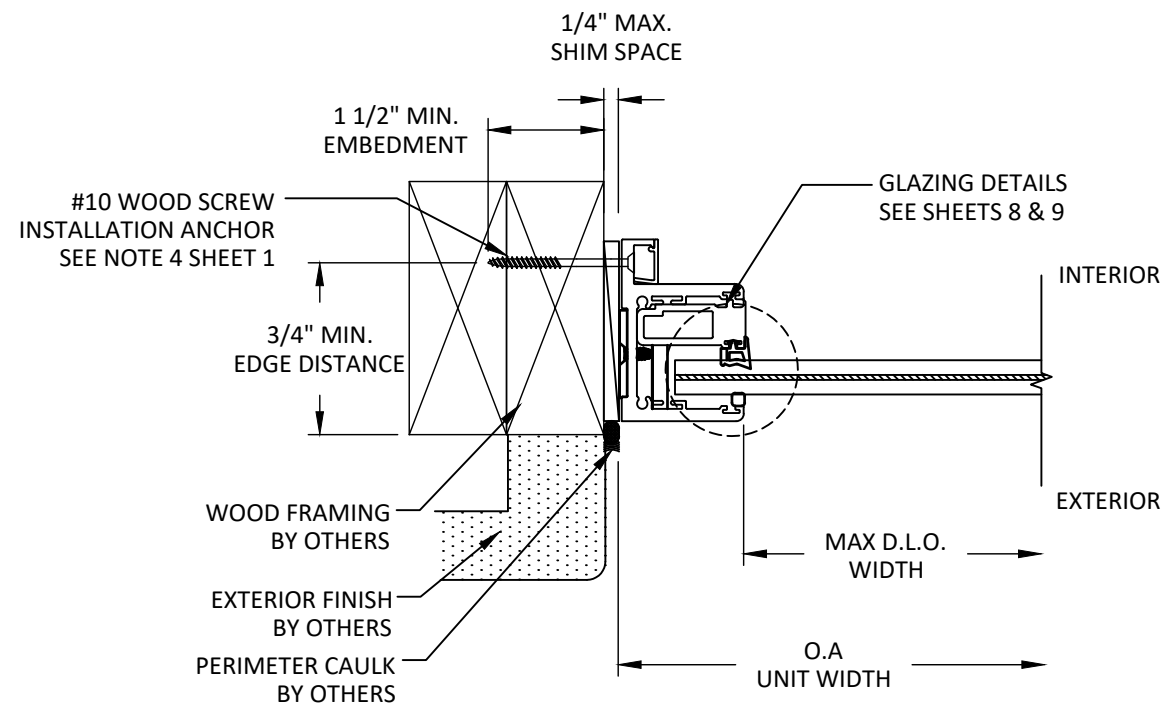
DWG. BY: **YC**      CHK. BY: **HFN**

SCALE: **NTS**

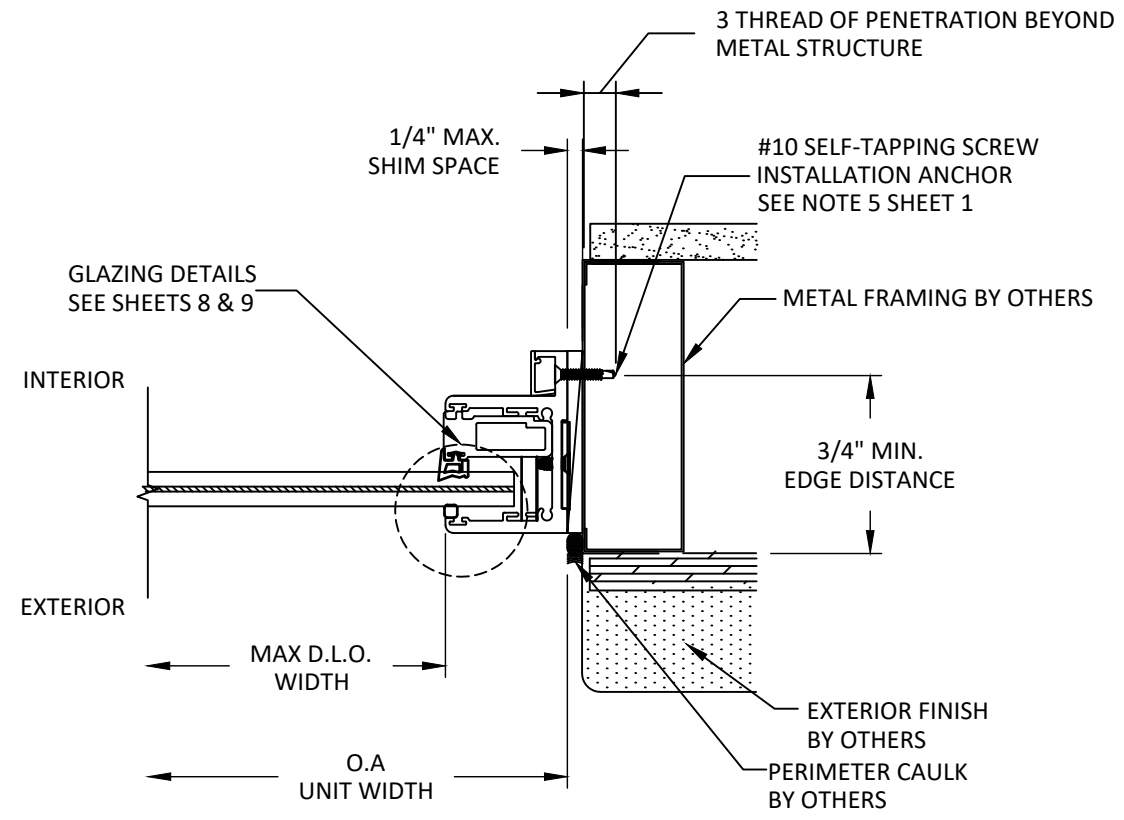
DWG. #: **EWS013**

SHEET:

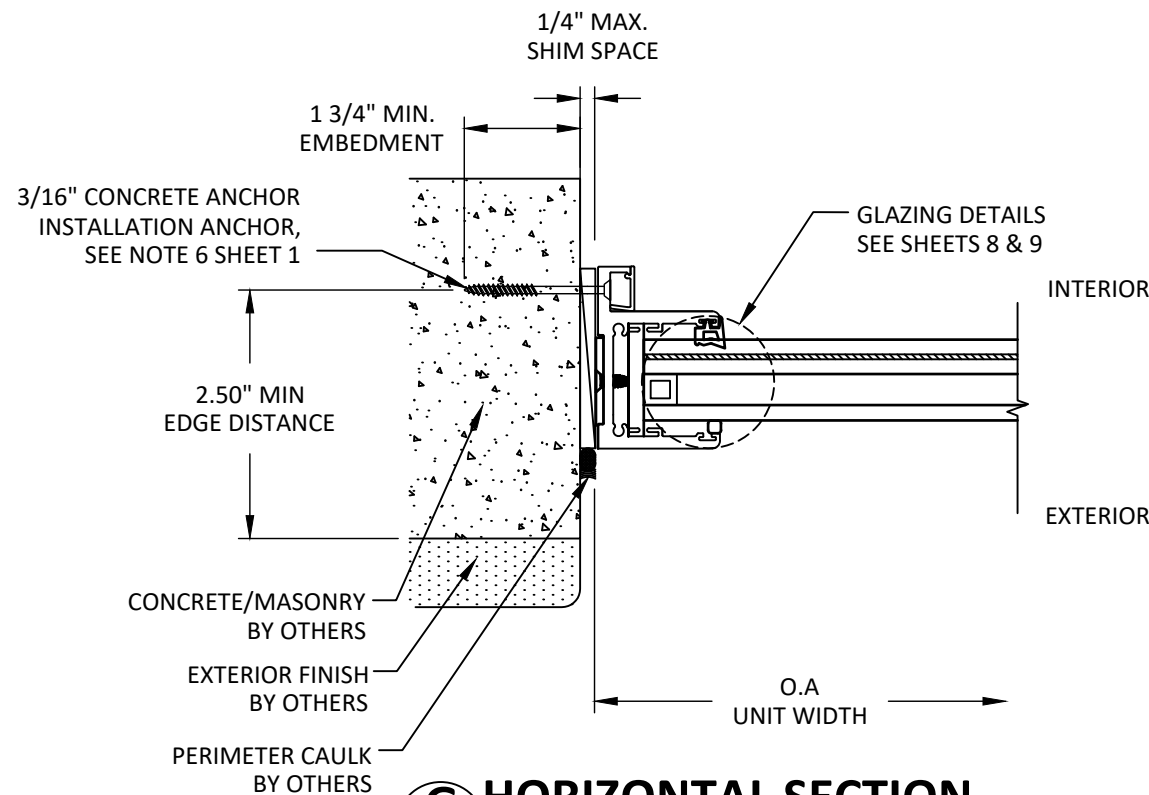
TITLE:  
**FIXED WINDOW (WZ3) (IMPACT) HORIZONTAL SECTIONS**



**E**  
**6** **HORIZONTAL SECTION**  
JAMB - 2X WOOD FRAME THROUGH FRAME INSTALLATION



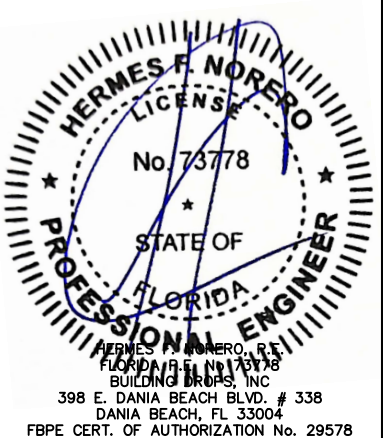
**F**  
**6** **HORIZONTAL SECTION**  
METAL STUD THROUGH FRAME INSTALLATION



**G**  
**6** **HORIZONTAL SECTION**  
JAMB-CONCRETE OR CMU THROUGH FRAME INSTALLATION

REMARKS	BY	DATE
MISC. UPDATE	OL	6/23
COMPANY NAME UPD.	SH	9/23

THE INSTALLATION DETAILS DESCRIBED HEREIN ARE GENERIC AND MAY NOT REFLECT ACTUAL CONDITIONS FOR A SPECIFIC SITE. IF SITE CONDITIONS CAUSE INSTALLATION TO DEVIATE FROM THE REQUIREMENTS DETAILED HEREIN, A LICENSED ENGINEER OR ARCHITECT SHALL PREPARE SITE SPECIFIC DOCUMENTS FOR USE WITH THIS DOCUMENT.



FL #:	<b>FL31965</b>
DATE:	<b>03.30.2020</b>
DWG. BY:	YC
CHK. BY:	HFN
SCALE:	NTS
DWG. #:	EWS013
SHEET:	<b>6</b>

9/29/2023 2:30 PM  
s:\projects\euro-wall systems\fbc-23-0818 - fbc submittal - fbc submittal - ew submittal - ew submittal\131965\ew013.dwg

EURO-WALL, LLC  
P.O. BOX 8007  
NORTH PORT, FL 34290  
PH: 888-989-3876

**DESIGN PRESSURE TABLE (PSF)**

**"W" MULLION TRIBUTARY WIDTH (INCHES)**

"L" MULLION HEIGHT (INCHES)	"W" MULLION TRIBUTARY WIDTH (INCHES)														
	57	60	63	66	69	72	75	78	81	84	87	90	93	96	
108	60.0	60.0	60.0	60.0	60.0	60.0	60.0	60.0	60.0	60.0	60.0	60.0	60.0	60.0	
112	60.0	60.0	60.0	60.0	60.0	60.0	60.0	60.0	60.0	60.0	60.0	60.0	60.0	60.0	
116	60.0	60.0	60.0	60.0	60.0	60.0	60.0	60.0	60.0	60.0	60.0	60.0	60.0	60.0	
120	60.0	60.0	60.0	60.0	60.0	60.0	60.0	60.0	60.0	60.0	60.0	60.0	60.0	60.0	
124	60.0	60.0	60.0	60.0	60.0	60.0	60.0	60.0	60.0	60.0	60.0	60.0	60.0	60.0	
128	60.0	60.0	60.0	60.0	60.0	60.0	60.0	60.0	60.0	60.0	60.0	60.0	60.0	60.0	
132	60.0	60.0	60.0	60.0	60.0	60.0	60.0	60.0	60.0	60.0	60.0	60.0	60.0	60.0	
136	60.0	60.0	60.0	60.0	60.0	60.0	60.0	60.0	60.0	60.0	60.0	60.0	60.0	-	
140	60.0	60.0	60.0	60.0	60.0	60.0	60.0	60.0	60.0	60.0	60.0	60.0	-	-	
144	60.0	60.0	60.0	60.0	60.0	60.0	60.0	60.0	60.0	60.0	-	-	-	-	
148	60.0	60.0	60.0	60.0	60.0	60.0	60.0	59.8	58.1	-	-	-	-	-	
152	60.0	60.0	60.0	60.0	60.0	58.5	56.6	54.9	-	-	-	-	-	-	
156	60.0	60.0	60.0	57.9	55.8	53.8	52.1	-	-	-	-	-	-	-	
160	60.0	60.0	60.0	57.9	55.8	53.8	-	-	-	-	-	-	-	-	

**DAYLIGHT OPENING CALCULATIONS:**

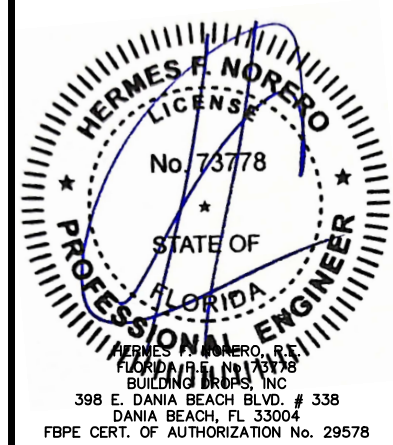
- D.L.O HEIGHT = FRAME HEIGHT - 4.000"
- D.L.O WIDTH = FRAME WIDTH - 4.000"

TITLE: **FIXED WINDOW (WZ3) (IMPACT) MULLION BRACKET**

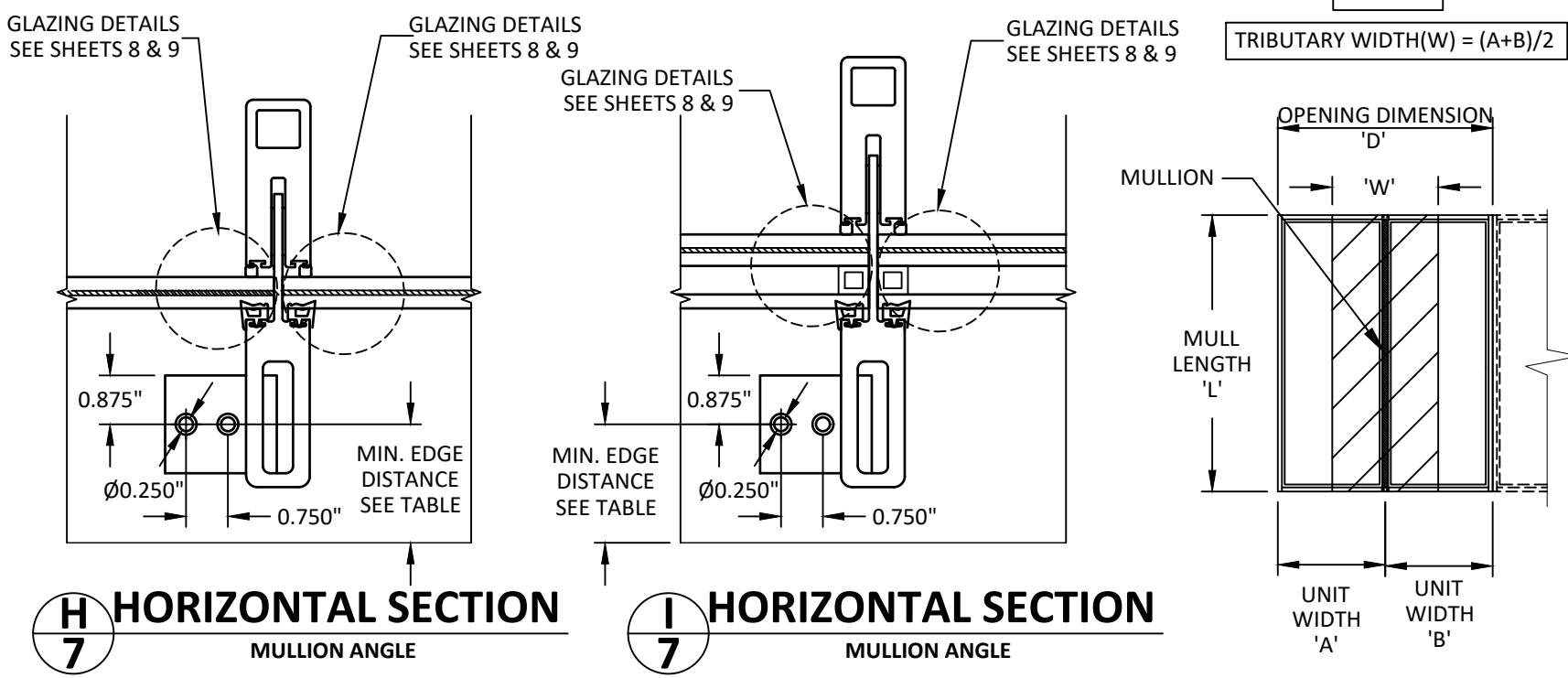
PREPARED BY: **BUILDING DROPS, INC.**  
398 E. DANIA BEACH BLVD., STE. 338  
DANIA BEACH, FL 33004  
PH: (954) 399-8478  
FAX: (954) 744-4738  
WEB: www.buildingdrops.com

REMARKS	BY	DATE
MISC. UPDATE	OL	6/23
COMPANY NAME UPD.	SH	9/23

THE INSTALLATION DETAILS DESCRIBED HEREIN ARE GENERIC AND MAY NOT REFLECT ACTUAL CONDITIONS FOR A SPECIFIC SITE. IF SITE CONDITIONS CAUSE INSTALLATION TO DEVIATE FROM THE REQUIREMENTS DETAILED HEREIN, A LICENSED ENGINEER OR ARCHITECT SHALL PREPARE SITE SPECIFIC DOCUMENTS FOR USE WITH THIS DOCUMENT.

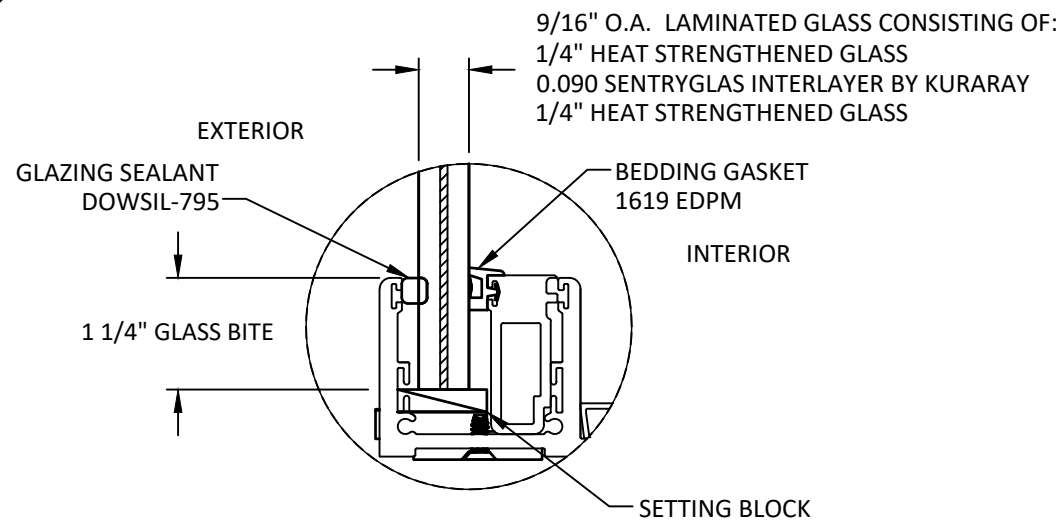


FL #: **FL31965**  
DATE: **03.30.2020**  
DWG. BY: **YC** | CHK. BY: **HFN**  
SCALE: **NTS**  
DWG. #: **EWS013**

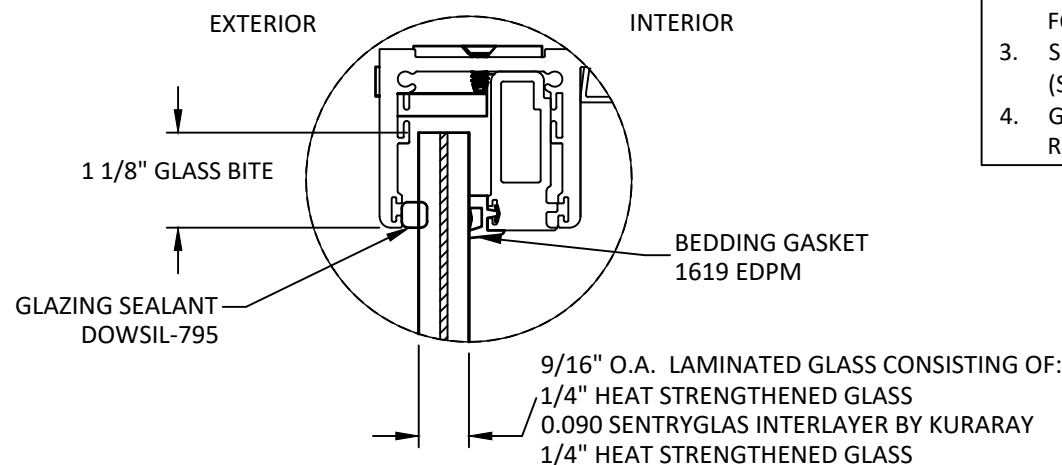


SUBSTRATE	ANCHOR SCHEDULE	MIN. EMBEDMENT	MIN. EDGE DISTANCE
METAL: STEEL 18 GAUGE, MIN. Fy = 33KSI	1/4" SELF-DRILLING OR SELF-TAPPING ANCHOR	3 THREADS MIN PENETRATION BEYOND METAL	0.50"
METAL: ALUMINUM (6063-T5) MIN 1/8" THICKNESS	1/4" SELF-DRILLING OR SELF-TAPPING ANCHOR	3 THREADS MIN PENETRATION BEYOND METAL	0.50"
CONCRETE: fc=3000PSI	1/4" ITW TAPCON	1.75"	2.50"

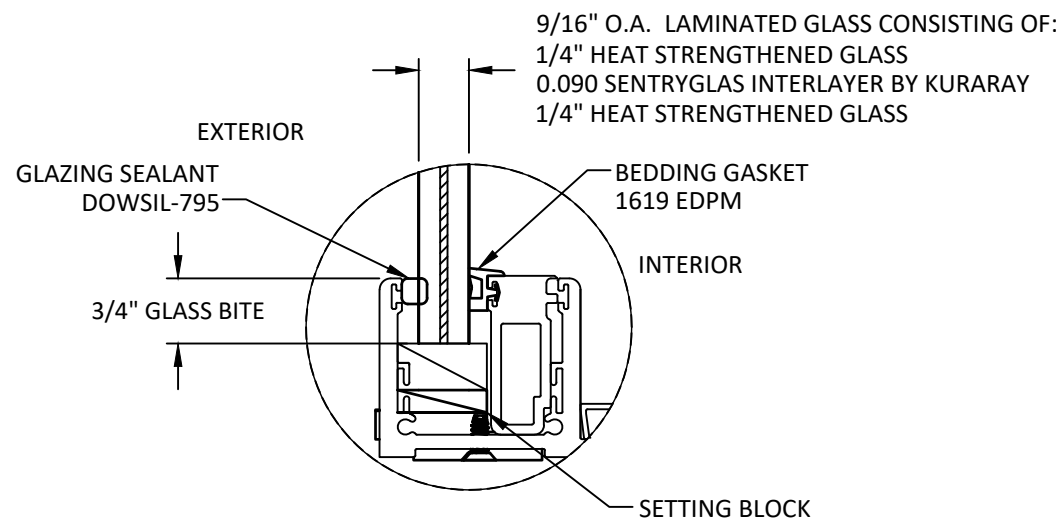
s:\projects\euro-wall systems\fb-23-0818 - fbc submittal - fbc submittal - ew view013.dwg  
 9/29/2023 2:30 PM



**GLAZING DETAIL 1  
SINGLE UNIT BOTTOM**

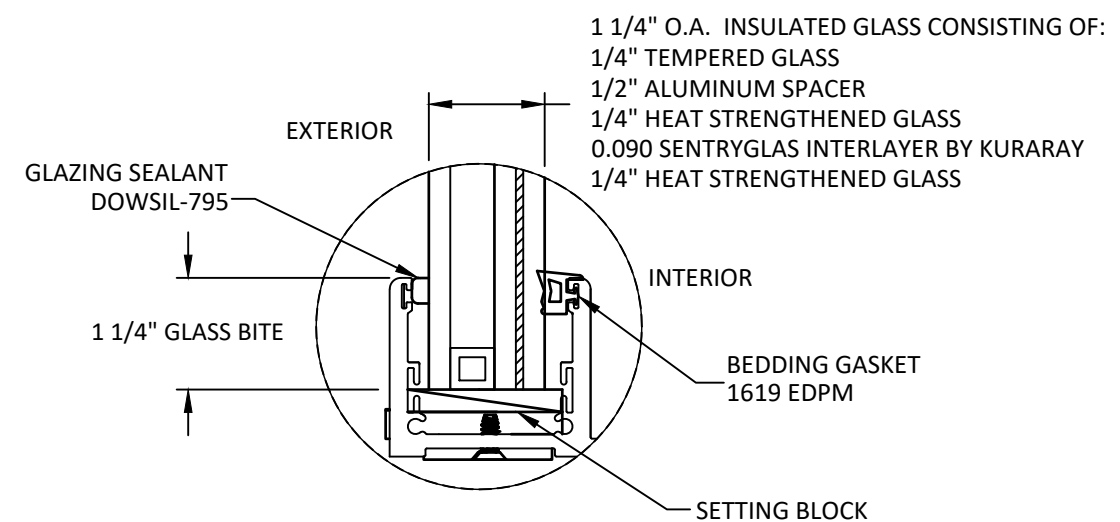


**GLAZING DETAIL 3  
SINGLE UNIT TOP**

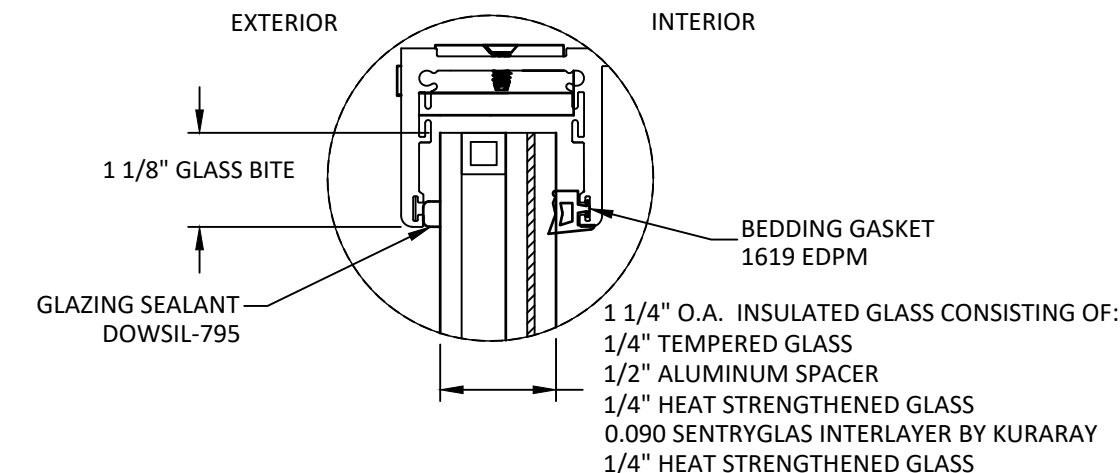


**GLAZING DETAIL 5  
MULTI UNIT TOP/BOTTOM**

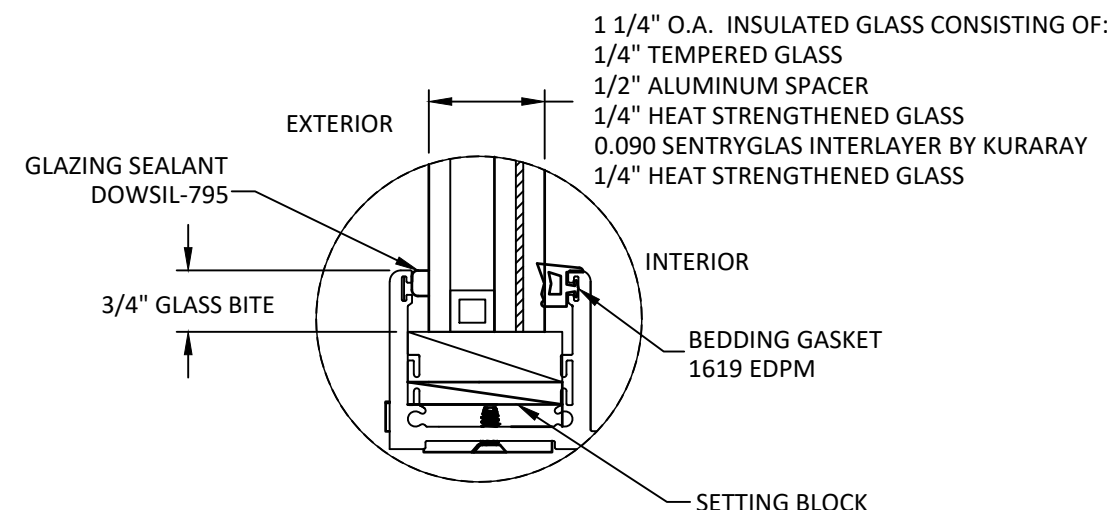
- GLAZING NOTES:**
1. GLASS TYPE COMPLIES WITH ASTM E1300 REQUIREMENTS.
  2. SETTING BLOCKS TO BE LOCATED AT 1/4 SPAN LENGTH FOR GLASS WIDER THAN 36" AS PER FBC CHAPTER 24.
  3. SETTING BLOCK DUROMETER HARDNESS OF 70-90 (SHORE A) AS REFERENCED IN FBC CHAPTER 24.
  4. GLASS TYPE SHALL COMPLY WITH APPLICABLE GLAZING REQUIREMENTS PER CHAPTER 24 OF THE FBC



**GLAZING DETAIL 2  
SINGLE UNIT BOTTOM**



**GLAZING DETAIL 4  
SINGLE UNIT TOP**



**GLAZING DETAIL 6  
MULTI UNIT TOP/BOTTOM**

**euro-wall**  
SUPERIOR BY DESIGN

EURO-WALL, LLC  
P.O. BOX 8007  
NORTH PORT, FL 34290  
PH: 888-989-3876

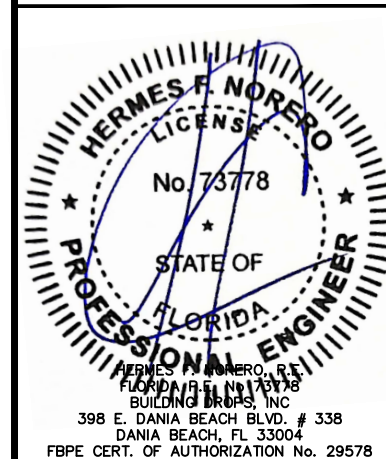
TITLE: **FIXED WINDOW (WZ3) (IMPACT)**  
GLAZING DETAILS

PREPARED BY: **BUILDING DROPS, INC.**  
398 E. DANIA BEACH BLVD., STE. 338  
DANIA BEACH, FL 33004  
PH: (954) 399-8478  
FAX: (954) 744-4738  
WEB: www.buildingdrops.com



REMARKS	BY	DATE
MISC. UPDATE	OL	6/23
COMPANY NAME UPD.	SH	9/23

THE INSTALLATION DETAILS DESCRIBED HEREIN ARE GENERIC AND MAY NOT REFLECT ACTUAL CONDITIONS FOR A SPECIFIC SITE. IF SITE CONDITIONS CAUSE INSTALLATION TO DEVIATE FROM THE REQUIREMENTS DETAILED HEREIN, A LICENSED ENGINEER OR ARCHITECT SHALL PREPARE SITE SPECIFIC DOCUMENTS FOR USE WITH THIS DOCUMENT.



FL #: **FL31965**

DATE: **03.30.2020**

DWG. BY: <b>YC</b>	CHK. BY: <b>HFN</b>
--------------------	---------------------

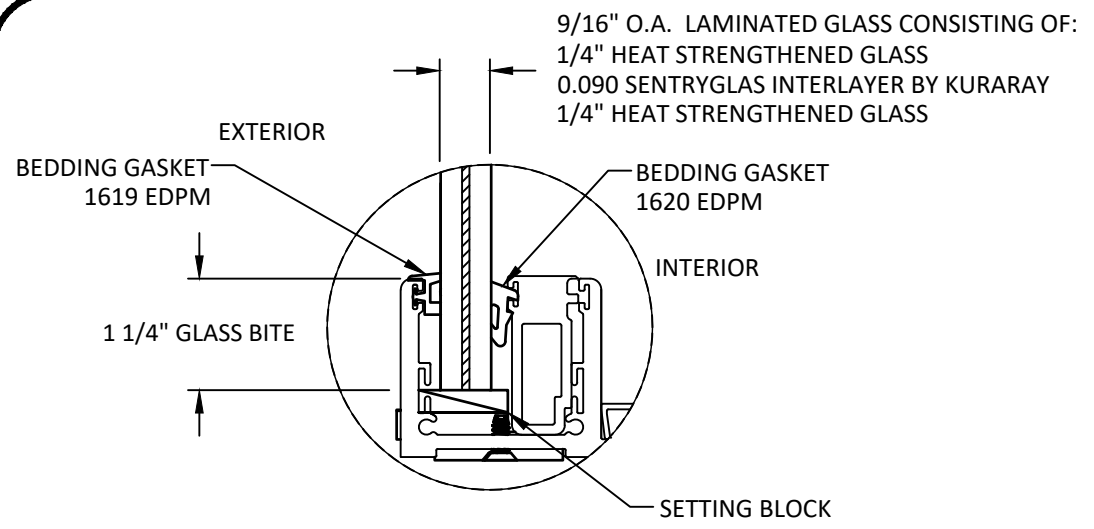
SCALE: **NTS**

DWG. #: **EWS013**

SHEET:

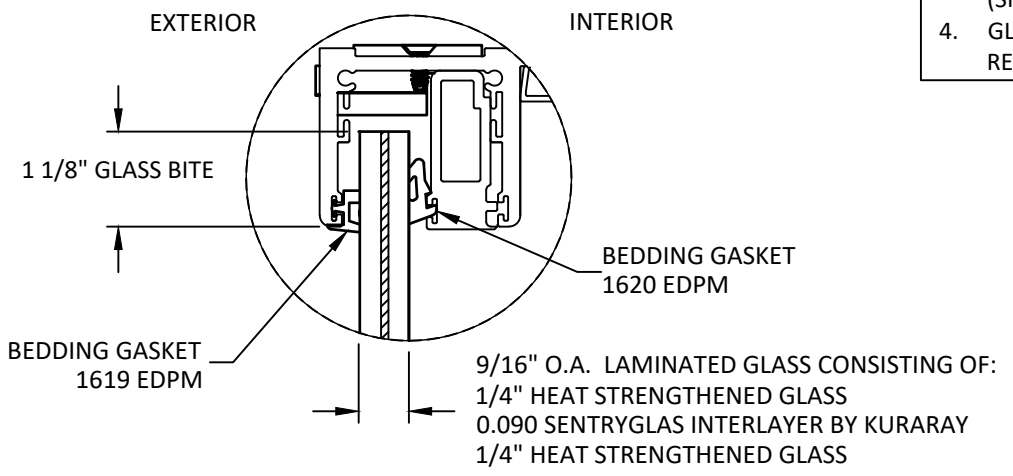


9/29/2023 2:30 PM  
 s:\projects\euro-wall systems\fb-23-0818 - fbc submittal - fbc submittal - ew holdings of florida llc name change.dwg\1311965\ews013.dwg

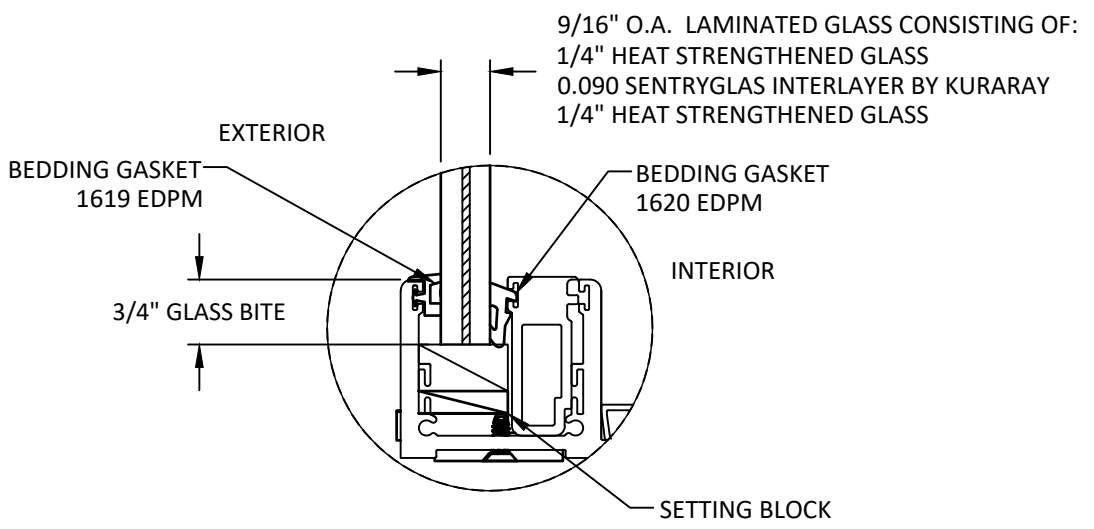


**GLAZING DETAIL 7  
SINGLE UNIT BOTTOM**

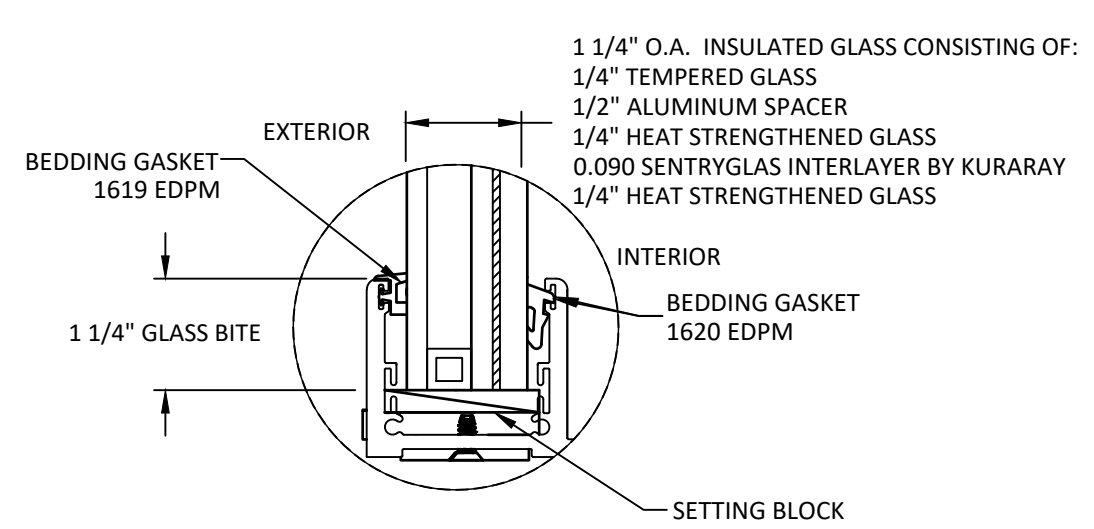
- GLAZING NOTES:**
1. GLASS TYPE COMPLIES WITH ASTM E1300 REQUIREMENTS.
  2. SETTING BLOCKS TO BE LOCATED AT 1/4 SPAN LENGTH FOR GLASS WIDER THAN 36" AS PER FBC CHAPTER 24.
  3. SETTING BLOCK DUROMETER HARDNESS OF 70-90 (SHORE A) AS REFERENCED IN FBC CHAPTER 24.
  4. GLASS TYPE SHALL COMPLY WITH APPLICABLE GLAZING REQUIREMENTS PER CHAPTER 24 OF THE FBC



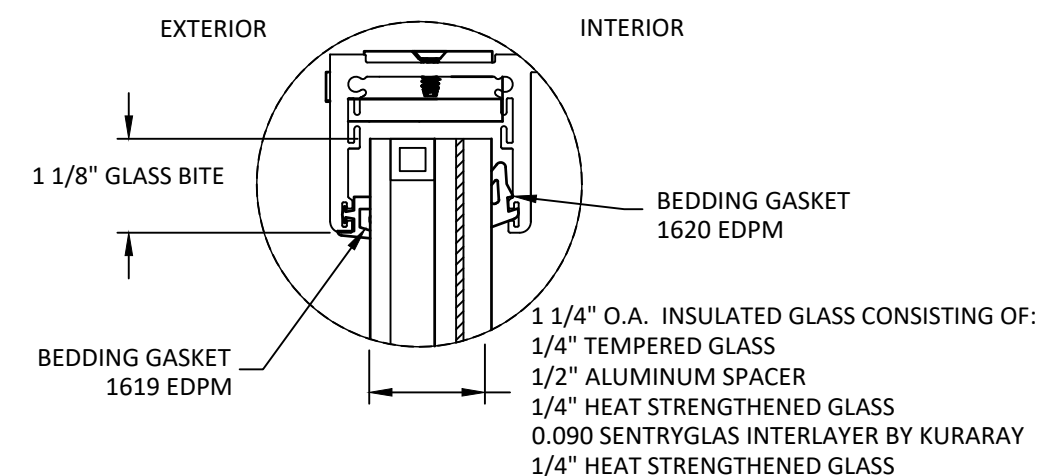
**GLAZING DETAIL 9  
SINGLE UNIT TOP**



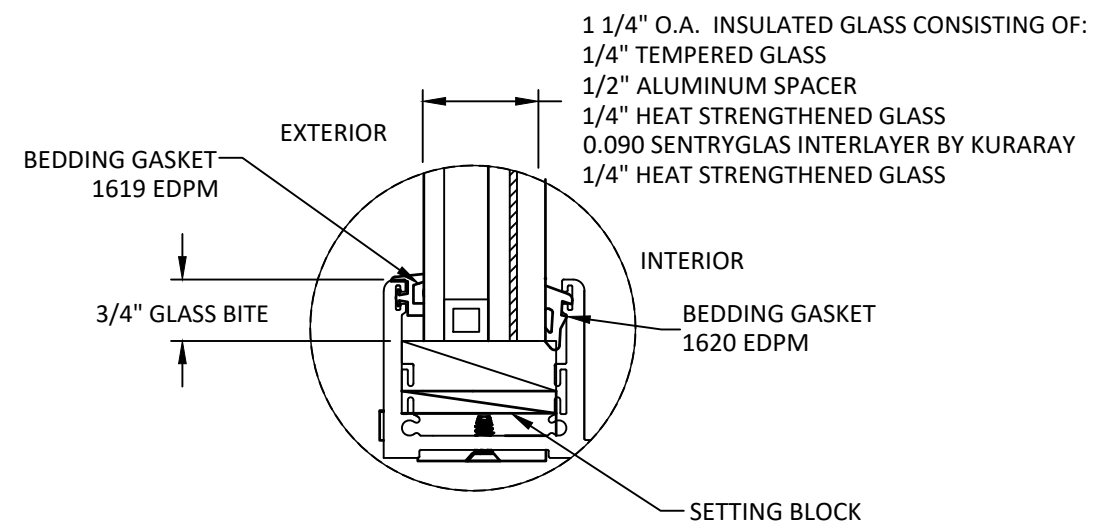
**GLAZING DETAIL 11  
MULTI UNIT TOP/BOTTOM**



**GLAZING DETAIL 8  
SINGLE UNIT BOTTOM**



**GLAZING DETAIL 10  
SINGLE UNIT TOP**



**GLAZING DETAIL 12  
MULTI UNIT TOP/BOTTOM**

**euro-wall**  
SUPERIOR BY DESIGN

EURO-WALL, LLC  
P.O. BOX 8007  
NORTH PORT, FL 34290  
PH: 888-989-3876

TITLE: **FIXED WINDOW (WZ3) (IMPACT)**  
GLAZING DETAILS

PREPARED BY: **BUILDING DROPS, INC.**  
398 E. DANIA BEACH BLVD., STE. 338  
DANIA BEACH, FL 33004  
PH: (954) 399-8478  
FAX: (954) 744-4738  
WEB: www.buildingdrops.com

**BD**  
BUILDING DROPS

REMARKS	BY	DATE
MISC. UPDATE	OL	6/23
COMPANY NAME UPD.	SH	9/23

THE INSTALLATION DETAILS DESCRIBED HEREIN ARE GENERIC AND MAY NOT REFLECT ACTUAL CONDITIONS FOR A SPECIFIC SITE. IF SITE CONDITIONS CAUSE INSTALLATION TO DEVIATE FROM THE REQUIREMENTS DETAILED HEREIN, A LICENSED ENGINEER OR ARCHITECT SHALL PREPARE SITE SPECIFIC DOCUMENTS FOR USE WITH THIS DOCUMENT.

**HERMES F. NORERO**  
LICENSE  
No. 73778  
STATE OF FLORIDA  
**PROFESSIONAL ENGINEER**  
HERMES F. NORERO, P.E.  
FLORIDA LICENSE NO. 73778  
BUILDING DROPS, INC.  
398 E. DANIA BEACH BLVD., # 338  
DANIA BEACH, FL 33004  
FBPE CERT. OF AUTHORIZATION No. 29578

FL #: **FL31965**

DATE: **03.30.2020**

DWG. BY: <b>YC</b>	CHK. BY: <b>HFN</b>
-----------------------	------------------------

SCALE: **NTS**

DWG. #: **EWS013**